

Up to 7.2kW Universal Charging Socket



PRODUCT FEATURES

- Easy to install and maintain
- Universal charging socket
- Adjustable charge rating - 6A, 13A, 16A & 32A
- Power rating - Up to 7.2kW (32A)
- Built-in LED charging status indicator
- IP54 Weatherproof & UV stabilised
- Corrosion resistant & fire retardant
- Impact resistant design
- CE certified

The QUBEV provides a simple, affordable and discreet electric vehicle charging solution. Designed and manufactured in the UK, and born from customer feedback.

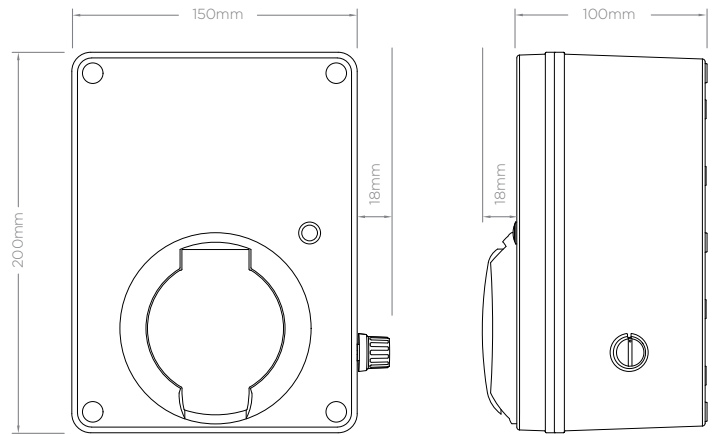
The QUBEV offers full Mode 3 fast charging for all Electric and Plug-in Hybrid vehicles, and a variable amperage selector to allow the customer the choice of 4 charge ratings.

This universal and compact charging unit has been specifically designed for easy and swift installation at domestic and commercial locations.





British by Design
& Manufacture





QUBEV Charging Unit

Model No.	EVON0010
Description	QUBEV Universal Socket EV Charging Unit
MECHANICAL DATA	
Dimensions	150mm x 200mm x 100mm (W x H x D)
Unit Weight	1.5kg
Unit Material	ABS (UL94 HB Fire Rated), IK08
Unit Colour	Matt Black
Operating Temperature	-20°C to +50°C
Protection	IP65 - Enclosure IP54 - Socket
ELECTRICAL DATA	
Rated Output	up to 7.2kW
Rated Current	up to 32A max.
Charging Current	Variable - 6A, 13A, 16A & 32A
Input Voltage	230V AC/50Hz (Single Phase)
Incoming Cable Terminals	3 x 16mm terminals
Over Current Protection	Recommended 40A
AC Earth Leakage Protection	Not included in unit (Type A or Type B RCBO available as an option)
DC Earth Leakage Protection	Not included in unit (Type A or Type B RCBO available as an option)
Charging Socket	IEC 62196 (Type 2) 
Charge Protocol	Mode 3
EV Charging Compliance	EN 61851-1:2001, EN 61851-21:2002, EN 61851-22:2002
Certifications & Compliances	IET EV Regulations, Glow Wire Testing - IEC 60695-2-13 EMC Compliance - EN 61000-6-3:2007, EN 61000-6-2:2005 Safety Compliance - EN 60950-1:2006, EN 60950-22:2006, Low Voltage Directive (LVD) 2014/35/EU CE Certified
	

Images are for marketing purposes only and are not contractual.
© 2019 EV OneStop Europe Limited. All rights reserved.

OPTIONS & ACCESSORIES

- Key switch control charging
- External 30mA Type A RCBO
- EV charging cables (Type 1 to Type 2 or Type 2 to Type 2)
- Charge point signage